

QUARTORIGO

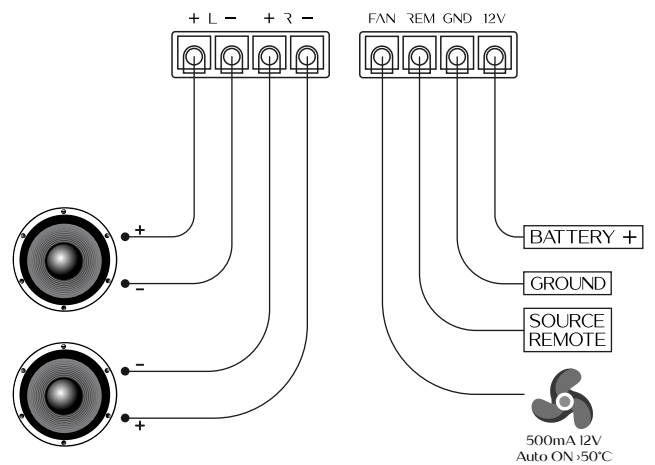
fantasia 3.2

SPECIFICATIONS

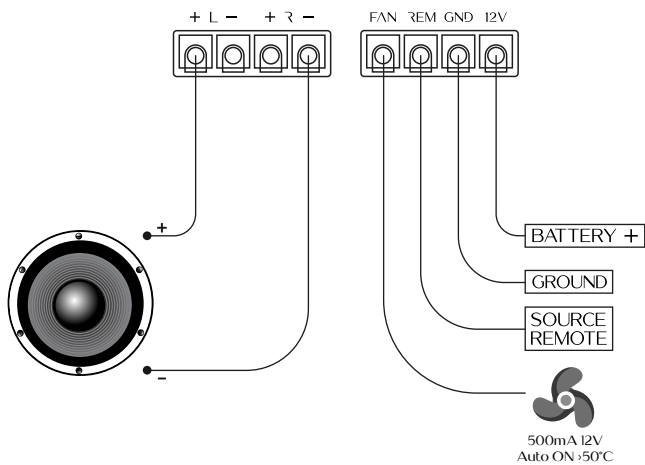
POWER SUPPLY	9-15VCC
STANDBY CURRENT	$\leq 1.2A$
INPUT SENSIVITY	0.4-8V
INPUT IMPEDANCE	48K Ω
OUTPUT STEREO 4 Ω	180W $\times 2$
OUTPUT STEREO 2 Ω	365W $\times 2$
OUTPUT MONO 4 Ω	780W $\times 1$
OUTPUT MONO 2 Ω	1210W $\times 1$
FREQUENCY RESPONSE	7HZ-70.000HZ
SIGNAL/NOISE RATIO	>100DB
FUSES	230A
DIMENSIONS (W*H*D)	434*40*187MM
WEIGHT	4.5KG

FUSES ARE LOCATED ON RIGHT SIDE OF THE AMPLIFIER.
SIDE PLATE NEEDS TO BE REMOVED.

STEREO CONNECTION



MONO CONNECTION



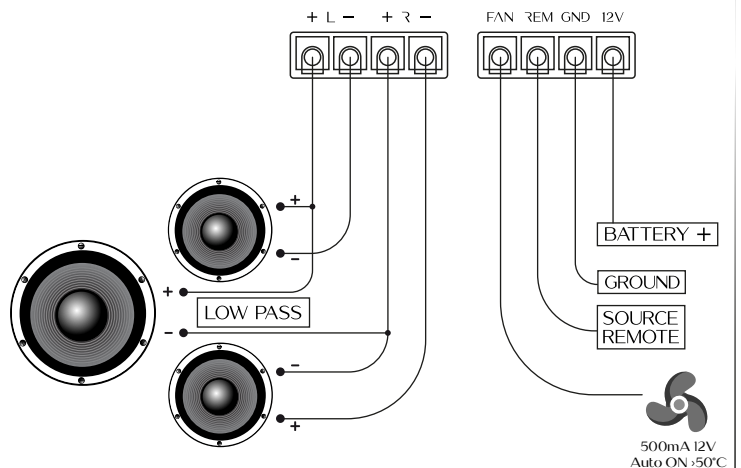
MONO

- STEREO CONFIGURATION
- ONLY LEFT INPUT IS ACTIVE

PHASE

- RIGHT INPUT PHASE 0°
- RIGHT INPUT PHASE 180°

STEREO + MONO CONNECTION



MONO

- STEREO CONFIGURATION
- ONLY LEFT INPUT IS ACTIVE

PHASE

- RIGHT INPUT PHASE 0°
- RIGHT INPUT PHASE 180°